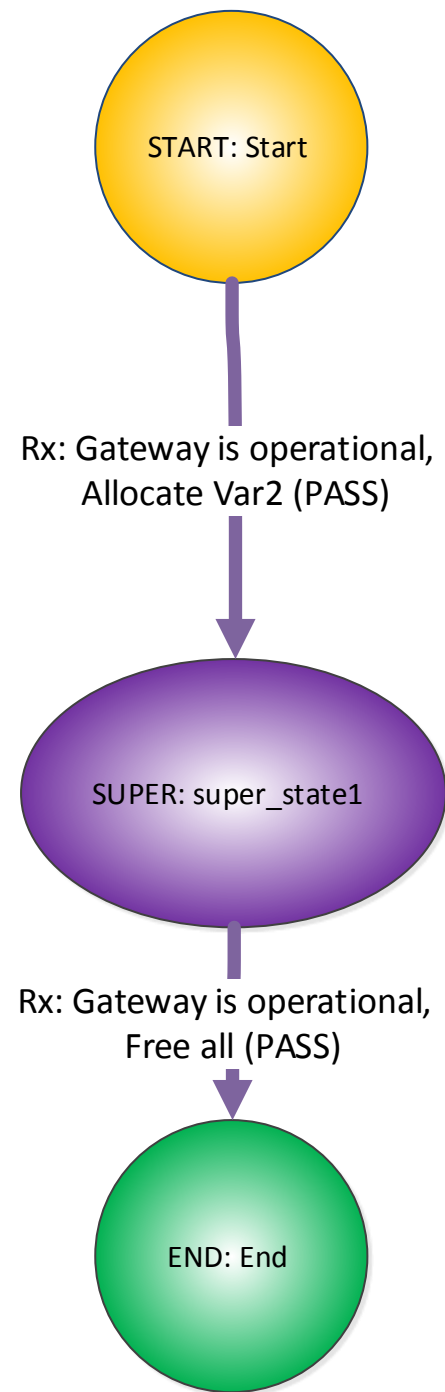


# CiA 447 GW Test HeartBeat timing

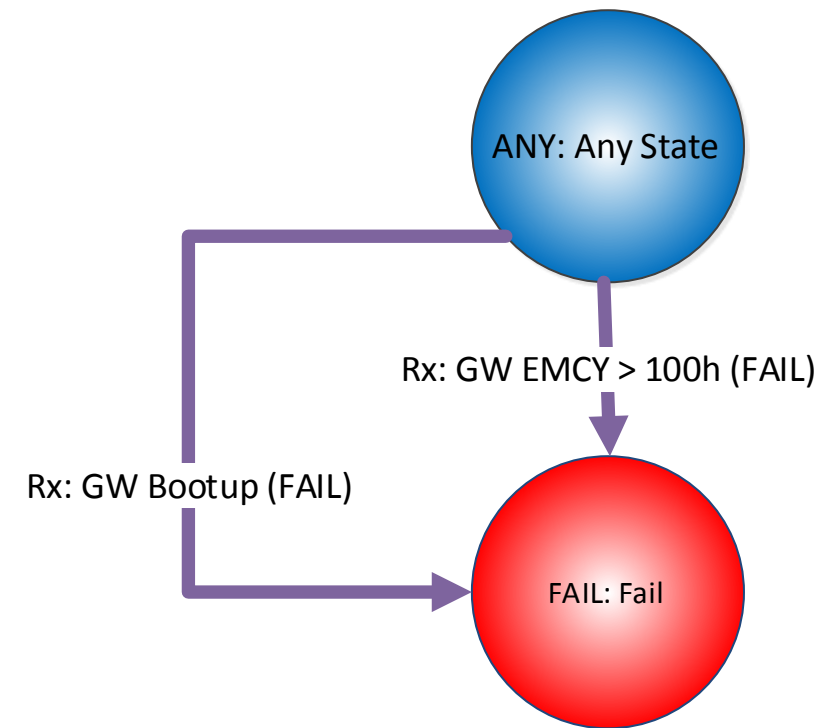
Testing HB timing to 10 percent accuracy

File: CiA447\_GW\_HBtime  
Version: 1.00  
Test category: CiA 301 / CiA 447-1 heart beat definition  
Timer resolution: 100 (1ms)  
Global timeout: 30000 (30s)  
Variable used: 2  
Buffer used: 0  
Default bit rate: 125kbps  
DUT ID or range: 1, no range  
Functions off: LSSMaster, PreSeq, PostSeq  
Functions on: SmartID, CiA447ID

SU1: Test heart beat



In ANY state: FAIL test if any SDO abort, emergency or bootup is received.



SU1: Test heart beat:  
Confirm 200ms HB Timing for 100 HBs  
To be in range from 180ms to 220ms

Use of variables:  
1: HB Timer  
2: Loop counter

